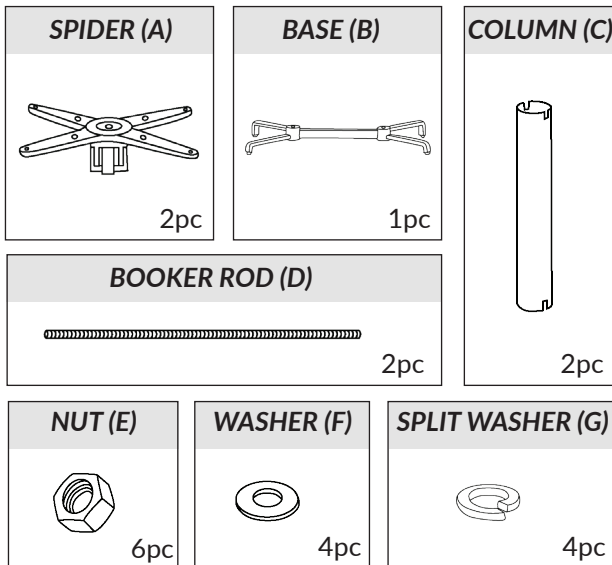


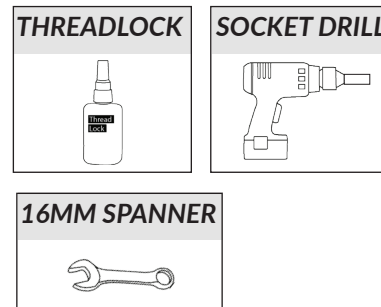
# NARA 2 WAY

## Folding Table Base

### PARTS:



### TOOLS (NOT INCLUDED):



We strongly recommend applying thread lock to ends of the booker rod and using a socket drill.

### WARNING:

Always take care with a socket drill, especially when screwing into the spider (cross member).

### INSTRUCTIONS:

